

**WARNING**

Please read and understand these instructions completely before installation to avoid possible injury to yourself, or damage to the accessory or vehicle.

**CAUTION:**

- This installation should be performed by an authorized Yamaha dealer or a qualified mechanic. Some components require information from the model's service manual for proper installation or adjustment. Be sure to have the service manual on hand, if necessary, before proceeding with the installation.
- Alteration of emission-related components constitutes tampering under Federal and State laws and can lead to substantial fines and penalties if used other than in closed-course competition.
- Engine-related competition parts are intended for closed-course racing applications only.

**DEALER:**

These instructions contain important information for future reference and *must* be given to the customer.

**WARRANTY INFORMATION:**

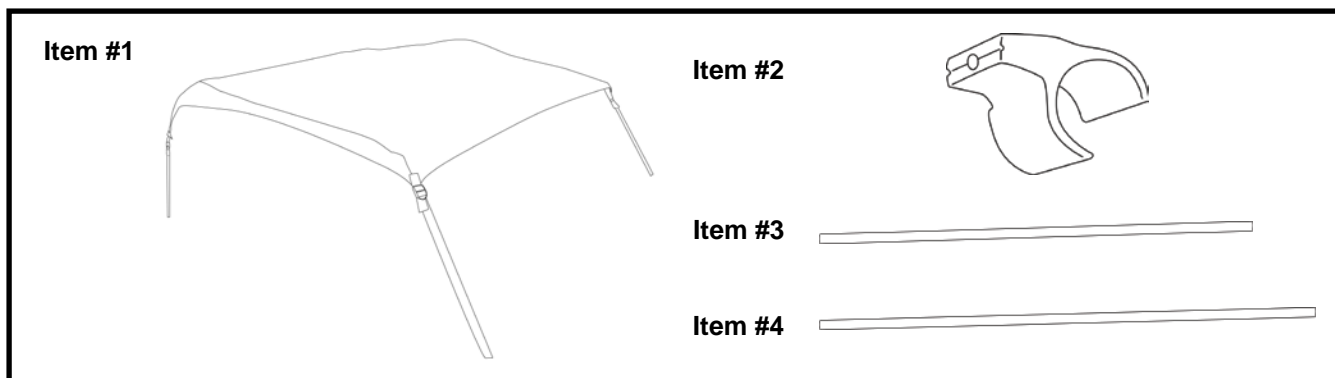
- Genuine Yamaha accessories are covered by a 90-day warranty against defects in material or workmanship. Labor for replacement of defective components is not covered. See your Yamaha dealer for a copy of the warranty statement.
- The Limited Warranty provided with new Yamaha vehicles has exclusions for certain failures, including those caused by competition or racing use (except YZ and WR motorcycle models) as well as by abnormal strain or abuse. While installation of these components will not "void" your vehicle's warranty, specific failures adjudged by Yamaha to have resulted from the installation of accessory components or other modifications, or from competition use (except YZ and WR motorcycle models), may not be covered by warranty or Yamaha Extended Service.

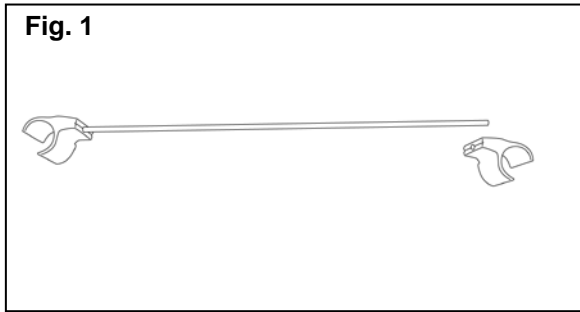
**PARTS LIST:**

This kit contains the following components. Before beginning installation confirm there are no missing or damaged components.

Item #	Part Number	Description	Qty
--	1XD-K830V-V0	SOFT SUN TOP KIT	1
1	*	Sun Roof Cover	1
2	*	Support Hook	6
3	*	Short Support Rod	2
4	*	Long Support Rod	1

\* Part supplied with kit only and not available separately.



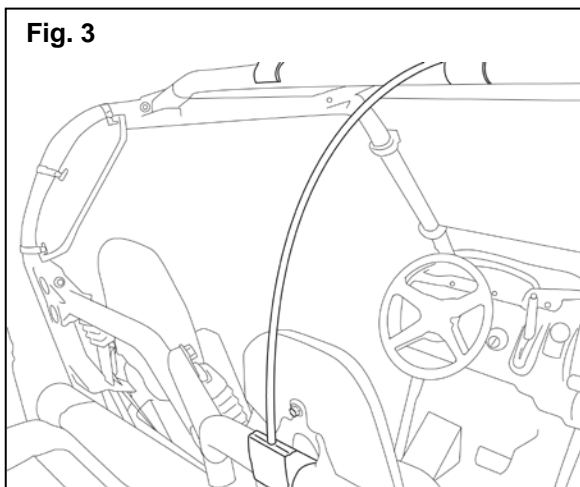
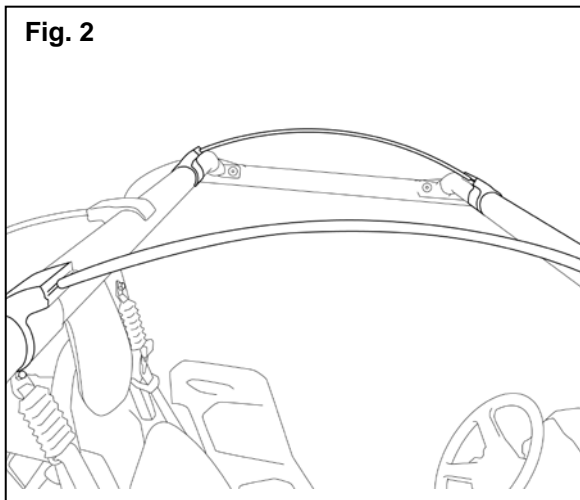


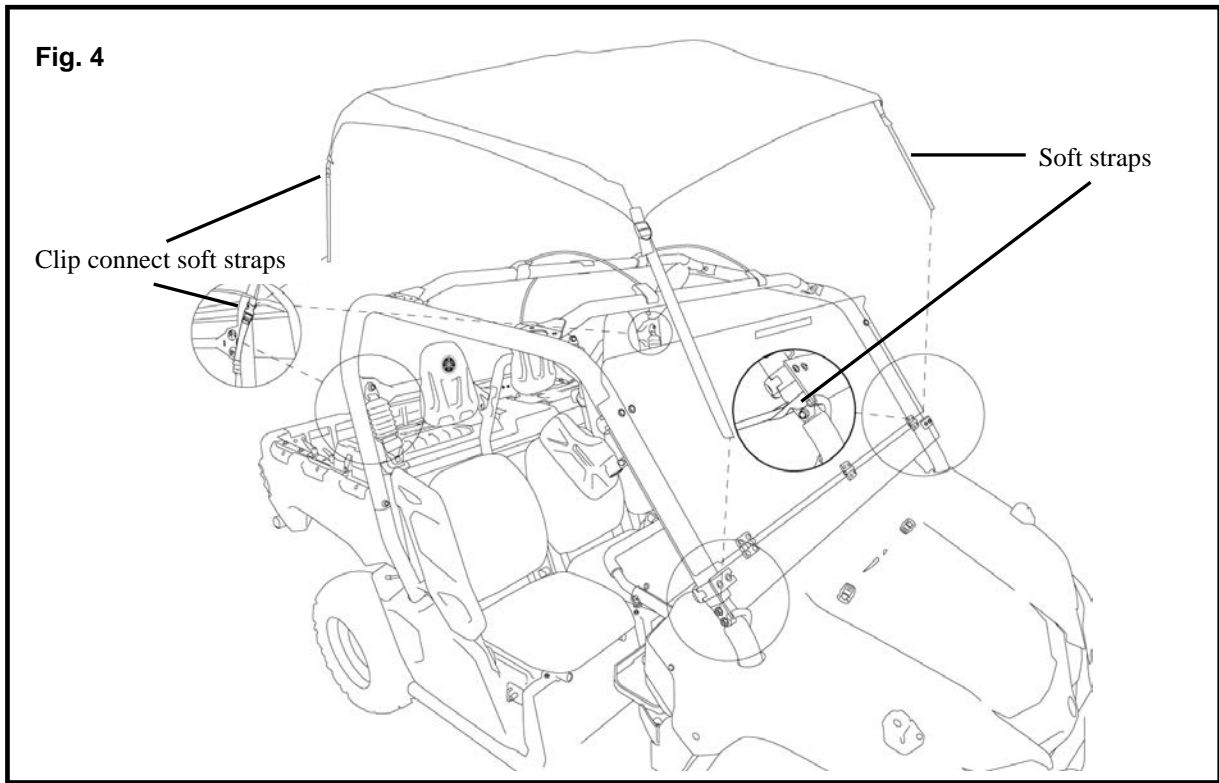
**PREPARATION:**

1. Place vehicle on a secure and level surface.
2. Set the parking brake.
3. Clean all mounting surfaces before beginning installation.

**INSTALLATION:**

1. Install the supports hooks (2) onto support rods (3 & 4) as shown in (Fig.1).
2. Clip the two shorter support hooks and rods onto the roof support above the driver and far right hand side passenger seats as shown in (Fig. 2).
3. The longer support rod (4) will clip in behind the middle seat as shown in (Fig. 3).
4. Lay the soft sun top (1) over the roof support. Place the clip connect soft straps to the back of the vehicle facing the cargo bed.
5. Beginning with the front, remove the soft straps from the sun roof cover. Run the strap around the lower roof support. Feed the end of the strap through the eyelet of the soft strap and then route the soft strap up the roof support beam as shown in (Fig. 4). Secure the strap into the buckle as shown in (Fig. 4) on page 3. Leave these loose at this time.
6. Attach the rear clip connect soft straps as shown in (Fig. 4) on page 3.
7. Tightly cinch up on the two rear clip connect soft straps to properly fit and secure the soft sun top.





**MAINTENANCE:**

Remove the Soft Sun Top if the unit is to be towed on a trailer on public roads. Fading can occur if stored in direct sunlight for extended periods of time. Remove as necessary.

**CARE AND CLEANING:**

Wash using a mild soap and water solution and soft cloth.

**CUSTOMER SERVICE:**

For further information see your Yamaha dealer.

**ESTIMATED TIME TO INSTALL: 0.3 HRS**